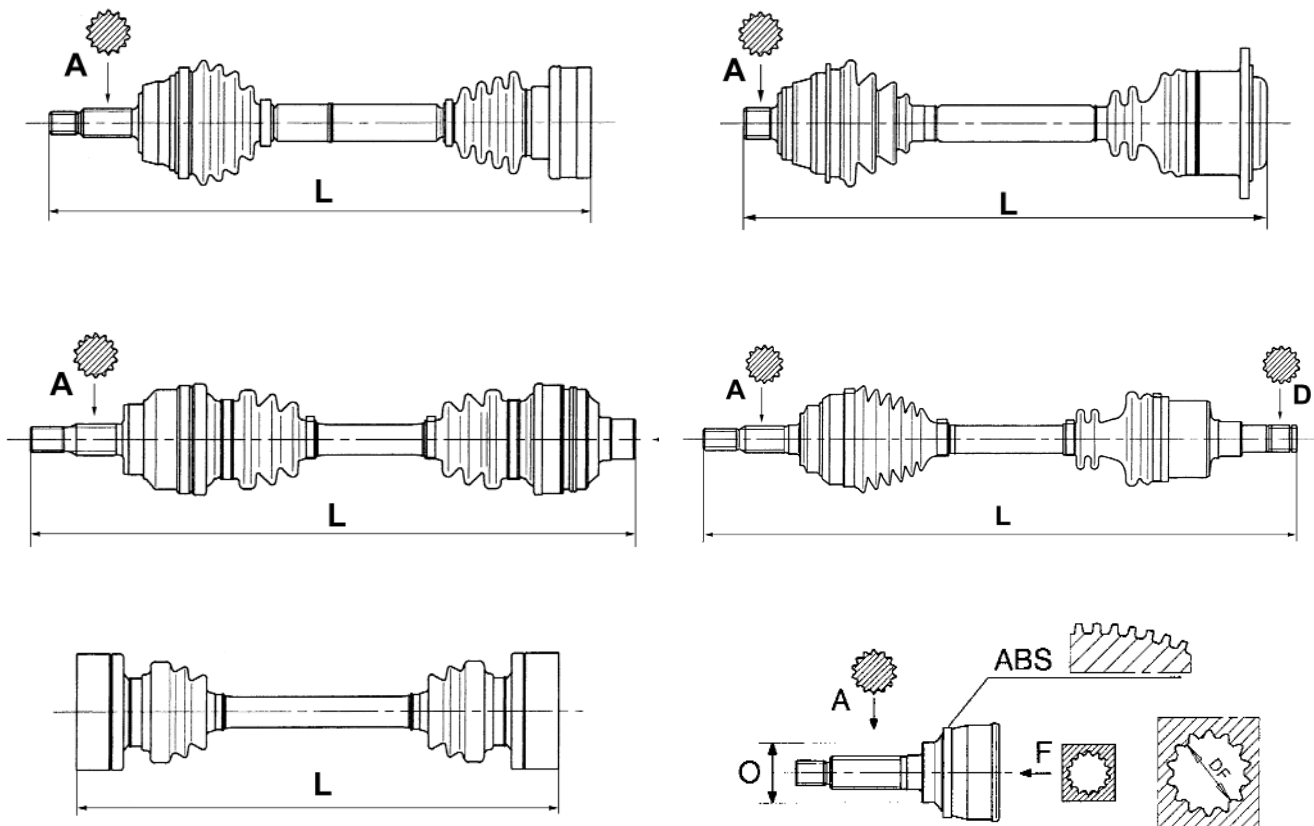
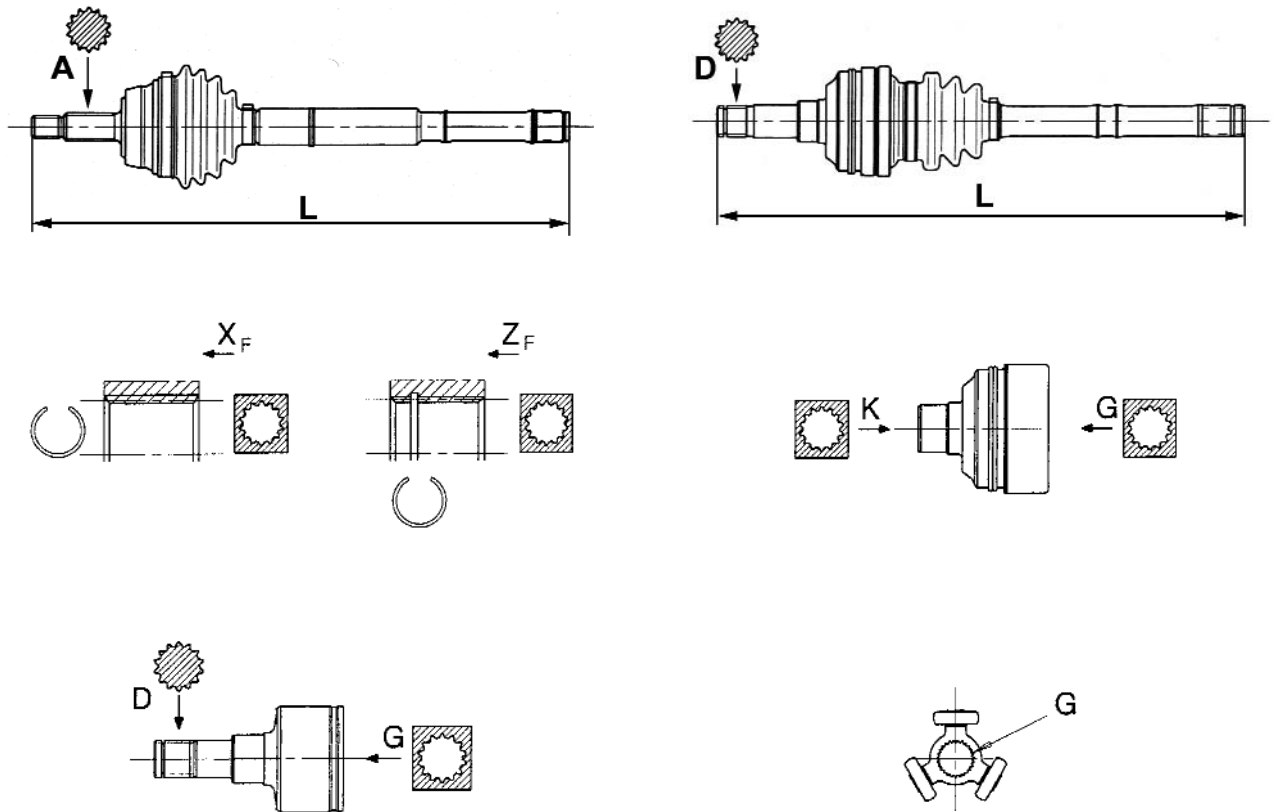


Technische Angaben / Technische Specificatie / Spécifications techniques
 Technical Specifications / Especificaciones Técnicas / Tekniska Data






<p>(D) A Anzahl Zähne radseitig F Anzahl Zähne innen, radseitig O Dichtringdurchmesser D Anzahl Zähne getriebeseitig L Länge ABS Zähnezahl ABS - Kranz</p>	<p>(NL) Aantal tanden buiten zijde Aantal tanden binnen zijde Diameter van de olie keerring buiten vertanding versnelling bak zijde Lengte Aantal tanden van de ABS ring</p>	<p>(F) Nb dents des cannelures extérieures (côté roue) Nb dents des cannelures intérieures (côté roue) Diamètre du joint Nb dents des cannelures extérieures (côté boîte de vitesses) Longueur ABS dents</p>
<p>(GB) A Outer spline teeth F Inner spline teeth O Oil seal diameter D Outer spline teeth (gear-box side) L Length ABS ABS teeth</p>	<p>(S) Antal kuggar yttre spline (hjulsida) Inre diameter splines (hjulsida) Diameter Tättningsring Antal tänder yttre splines (vxl.sida) Läng Kuggar ABS</p>	<p>(E) estriado exterior (lado rueda) estriado interior (lado rueda) diametro retén estriado exterior (lado cambio) longitudud estriado ABS</p>




Technische Angaben / Technische Specificatie / Spécifications techniques Technical Specifications / Especificaciones Técnicas / Tekniska Data






<p>(D)</p> <p>A Anzahl Zähne radseitig</p> <p>L Länge</p> <p>X kein Einstich im Innenteil</p> <p>Z Einstich im Innenteil</p> <p>D Anzahl Zähne getriebeseitig</p> <p>G Anzahl Zähne innen getriebeseitig Anschluß Profilwelle</p> <p>K Anzahl Zähne innen getriebeseitig Anschluß Getriebe</p>	<p>(NL)</p> <p>Aantal tanden buiten zijde</p> <p>Lengte</p> <p>Zonder groef voor borgring binnen zijde</p> <p>Met groef voor borgring binnen zijde</p> <p>buiten vertanding versnelling bak zijde</p> <p>Ø binnen vertanding versnelling bak zijde Verbinding profiel v.d. as</p> <p>Ø binnen vertanding versnelling bak zijde Verbinding profiel bakzijde</p>	<p>(F)</p> <p>Nb dents des cannelures extérieures (côté roue)</p> <p>Longueur</p> <p>Sans gorge dans composant interne</p> <p>Avec gorge dans composant interne</p> <p>Nb dents des cannelures extérieures (côté boîte de vitesses)</p> <p>Nb dents des cannelures intérieures (côté boîte de vitesses) Axe de profil du raccord</p> <p>Nb dents des cannelures intérieures (côté boîte de vitesses) Raccord de vitesses</p>
<p>(GB)</p> <p>A Outer spline teeth</p> <p>L Length</p> <p>X Without location groove</p> <p>Z With location groove</p> <p>D Outer spline teeth (gear-box side)</p> <p>G Inner spline teeth (gear-box side) Connection to Profile Shaft</p> <p>K Inner spline teeth (gear-box side) Connection to gear box</p>	<p>(S)</p> <p>Antal kuggar yttre spline (hjulsida)</p> <p>Läng</p> <p>Ingen låsring</p> <p>Låsring</p> <p>Antal tänder yttre splines (vxl.sida)</p> <p>Diameter inre splines (vxl. Sida) Inre Splines / inre</p> <p>Diameter inre splines (vxl. Sida) Inre Splines / yttre</p>	<p>(E)</p> <p>estriado exterior (lado rueda)</p> <p>longitud</p> <p>Sin ranura en componente interior</p> <p>Con ranura en componente interior</p> <p>Estriado exterior (lado cambio)</p> <p>Estriado interior (lado cambio) conexión a transmisión</p> <p>Estriado interior (lado cambio) conexión a caja de cambios</p>

			L	A	D	F	G	K	O	X/Z	ABS	Ø	Pic
--	---	---	---	---	---	---	---	---	---	-----	-----	---	-----




T2	Peugeot		845	21	24								9
T3	Renault		611	21								30	26
T4	Peugeot		600	21	24								6
T5	Renault		631	21								30	26
T6	Renault		740	21				23					10
T7	Renault		730	23				23					10
T7A	Renault		730	23				23			48		10
T8	Peugeot		835	21	22								8
T9	Peugeot		610	21	22								6
T10	Renault		710	21				23					10
T11	Renault		598	21								30	26
T12	Renault		725	23				27					10
T14	Renault		700	23	22								6
T15	Renault		745	21				23					10
T16	Citroen, Peugeot		835	21	22								6
T17	Renault		695	23				23					10
T18	Citroen, Peugeot		645	21	22								6
T20	Citroen, Peugeot		870	25	24								9
T21	Peugeot		735	21	22								6
T22	Renault		715	23				23					10
T22A	Renault		715	23				23			92		10
T23	Peugeot		850	25	24								9
T24	Renault		645	21								30	26
T26	Peugeot		880	25	24								8
T27	Peugeot		630	25	24								7
T28	Seat, Volkswagen		772.5	22									1
T29	Peugeot		610	25	24								7
T30	Seat, Volkswagen		537.5	22									1
T31	Citroen, Peugeot		1047	28	25								9
T32	Citroen		770	25	22								6
T33	Citroen, Fiat, Peugeot		690	28	25								6
T35	Peugeot		845	21	24								9
T36	Citroen, Peugeot		870	25	24								9
T37	Peugeot		735	21	22								6
T38	Citroen, Peugeot		835	21	22								9
T39	Renault		685	20				23					10
T40	Citroen, Peugeot		610	21	22								6
T41	Citroen, Peugeot		630	25	24								6
T42	Peugeot, Talbot		710	21	22								6
T45	Renault		638	21								30	26
T46	Renault		725	25				27					10
T47	Peugeot		880	25	24								8
T47A1	Peugeot		880	25	24						29		8
T47A2	Peugeot		880	25	24						90		8
T47A3	Peugeot		890	25	24						48		8
T48	Citroen		840	21	22								6
T49	Renault		740	21				23					10
T50	Peugeot		610	21	24								7
T53	Peugeot		630	25	24								7
T53A1	Peugeot		630	25	24						29		7
T53A2	Peugeot		630	25	24						90		7
T53A3	Peugeot		635	25	24						48		7
T54	Peugeot		760	23	23								6
T55	Citroen		650	21	22								6
T56	Renault		730	23				27					10
T56A	Renault		730	23				27			48		10
T58	Renault		705	21				23					10
T59	Renault		608	21								30	26
T59A	Renault		608	21							26		20
T60	Volkswagen		750	22									1
T62	Renault		730	21				23					10
T63	Renault		740	21				23					10

			L	A	D	F	G	K	O	X/Z	ABS	Ø	Pic
---	---	---	---	---	---	---	---	---	---	-----	-----	---	-----




T64	Peugeot	760	25	23									7
T65	Peugeot	620	21	22									6
T66	Volkswagen	537.5	22										1
T67	Renault	710	21					23					10
T67A	Renault	710	21					23			26		10
T68	Renault	598	21									30	26
T70	Audi, Volkswagen	625	22										1
T71	Peugeot	850	21	22									8
T73	Citroen	936	27	25									
T74	Renault	715	23					23					10
T74A	Renault	715	23					23			48		10
T75	Citroen, Peugeot	870	25	24									9
T75A1	Citroen, Peugeot	875	25	24							29		9
T75A2	Citroen	870	25	24							90		9
T76	Fiat	555	20										
T77	Opel, Vauxhall	907.5	22	22									4
T78	Peugeot	840	25	24									9
T78A1	Peugeot	840	25	24							48		9
T79	Ford	865	23	23	22	22							13
T80	Renault	651	21									30	26
T81	Renault	840	32					27					10
T82	Citroen, Peugeot	616	25	24									6
T82A1	Citroen, Peugeot	625	25	24							29		6
T82A2	Citroen, Peugeot	620	25	24							90		6
T84	Opel, Vauxhall	568.5	22	22									4
T85	Renault	710	23					23					10
T86	Seat, Volkswagen	763.5	22										1
T87	Renault	740	21	22									6
T88	Renault	695	23					23					10
T89	Volkswagen	772.5	22										1
T90	Ford	575	23	23									13
T91	Peugeot	765	25	23									6
T93	Peugeot	870	25	22									8
T94	Seat, Volkswagen	559.5	22										1
T95	Peugeot	620	25	22									6
T96	Peugeot	600	25	24									7
T96A1	Peugeot	600	25	24							48		7
T97	Seat, Volkswagen	529.5	22										1
T98	Ford	589	23	23	22	22							13
T99	Peugeot	850	25	22									8
T100	Ford	853	23	23									13
T101	Opel, Vauxhall	582	33	34									4
T102	Citroen	642	27	25									
T103	Fiat	870	20										
T105	Audi, Volkswagen	727	20										1
T106	Ford	861	23	23									13
T106A	Ford	861	23	23							56		13
T107	Ford	584	23	23									13
T107A	Ford	584	23	23							56		13
T108	Audi, Volkswagen	476	20										1
T110	Opel, Vauxhall	610.5	33	34									4
T110A1	Opel, Vauxhall	610.5	33	34							29		4
T110A2	Opel, Vauxhall	610.5	33	34							43		4
T111	Opel, Vauxhall	597.5	22	22									4
T112	Citroen	860	25	22									9
T113	Autobianchi, Fiat, Lancia	535	20						43.1			29	26
T118	Citroen	640	25	22									6
T119	Opel, Vauxhall	946.5	33	34									4
T120	Opel, Vauxhall	946.5	33	34									4
T120A1	Opel, Vauxhall	946.5	33	34							29		4
T120A2	Opel, Vauxhall	946.5	33	34							43		4
T162	Citroen	600	22										3

			L	A	D	F	G	K	O	X/Z	ABS	Ø	Pic
--	---	---	---	---	---	---	---	---	---	-----	-----	---	-----




T165	Citroen		600	25									3
T178	Citroen		915	27	25								9
T179	Citroen		640	27	25								6
T180	Citroen		975	27	25								9
T181	Citroen		620	27	25								6
T182	Citroen		962	25	27								
T182A	Citroen		962	25	27						48		
T183	Citroen		618	27	25								
T183A	Citroen		618	27	25						48		
T187	Citroen, Peugeot		680	28	24								6
T187A1	Citroen, Peugeot		680	28	24						29		6
T187A2	Citroen, Peugeot		680	28	24						48		6
T188	Citroen, Peugeot		940	28	24								9
T188A1	Citroen, Peugeot		940	28	24						29		9
T188A2	Citroen, Peugeot		940	28	24						48		9
T189	Citroen, Peugeot		695	28	37								13
T189A1	Citroen, Peugeot		695	28	37						29		
T189A2	Citroen, Peugeot		695	28	37						48		
T190	Citroen, Peugeot		960	28	37								9
T190A1	Citroen, Peugeot		960	28	37						29		
T190A2	Citroen, Peugeot		960	28	37						48		
T191	Citroen, Fiat, Peugeot		1078.5	28	25								13
T192	Peugeot		1064	28	25								
T193	Citroen		640	21	22								6
T194	Citroen		860	21	22								9
T195	Citroen, Peugeot		650	21	22								6
T195A	Citroen, Peugeot		650	21	22						48		6
T196	Citroen, Peugeot		840	21	22								6
T196A	Citroen, Peugeot		840	21	22						48		6
T197	Citroen		640	25	24								7
T197A2	Citroen		640	25	24						48		7
T198	Citroen		890	25	24								9
T198A2	Citroen		890	25	24						48		9
T199	Citroen		650	25	24								7
T199A	Citroen		650	25	24						48		7
T200	Citroen		890	25	24								9
T200A	Citroen		890	25	24						48		9
T201	Citroen, Fiat, Peugeot		762	35	41								13
T201A	Citroen, Fiat, Peugeot		762	35	41						54		
T202	Citroen, Fiat, Peugeot		1084	35	41								9
T202A	Citroen, Fiat, Peugeot		1084	35	41						54		
T203	Citroen, Fiat, Lancia, Peugeot		650	27	37								13
T203A	Citroen, Fiat, Lancia, Peugeot		650	27	37						48		
T204	Citroen, Fiat, Lancia, Peugeot		940	27	37								9
T204A	Citroen, Fiat, Lancia, Peugeot		940	27	37						48		
T205	Citroen, Fiat, Peugeot		770	28	41								13
T205A	Citroen, Fiat, Peugeot		752	28	41						54		
T206	Citroen, Fiat, Peugeot		1077	28	41								9
T206A	Citroen, Fiat, Peugeot		1077	28	41						54		
T207	Citroen, Fiat, Peugeot		770	28	37								13
T207A	Citroen, Fiat, Peugeot		770	28	37						54		
T208	Citroen, Fiat, Peugeot		1070	28	37								9
T208A	Citroen, Fiat, Peugeot		1070	28	37						54		
T213	Peugeot		710	30				30					10
T215	Peugeot		600	30				30					10
T216	Peugeot		610	25	24								7
T216A2	Peugeot		610	25	24						48		7
T217	Peugeot		850	25	24								9
T217A2	Peugeot		850	25	24						48		9
T218	Peugeot, Talbot		800	27	27								18
T221	Peugeot		640	21	22								6
T221A	Peugeot		448	21	22						48		

			L	A	D	F	G	K	O	X/Z	ABS	Ø	Pic
---	---	---	---	---	---	---	---	---	---	-----	-----	---	-----




T222	Peugeot		840	21	22								9
T222A	Peugeot		448	21	22						48		
T223	Peugeot		655	21	22								6
T224	Peugeot		870	21	22								8
T225	Peugeot		650	25	22								7
T225A1	Peugeot		650	25	22						29		7
T226	Peugeot		870	25	22								8
T226A1	Peugeot		870	25	22						29		8
T226A2	Peugeot		870	25	22						48		8
T227	Peugeot		630	25	24								7
T227A1	Peugeot		630	25	24						29		7
T227A2	Peugeot		630	25	24						90		7
T228	Peugeot		880	25	24								9
T228A1	Peugeot		880	25	24						29		9
T228A2	Peugeot		880	25	24						90		9
T230	Peugeot		710	27	27								6
T231	Peugeot		935	25	24								
T231A1	Peugeot		935	25	24						29		
T236	Renault		670	20				23					10
T238	Renault		670	20				23					10
T239	Renault		715	19				25					10
T240	Renault		660	20				23					11
T241	Renault		730	23				27					10
T245	Renault		740	20				23					10
T247	Renault		720	23				27					10
T250	Renault		895	32				31					6
T251	Renault		732	21	23								5
T251A	Renault		732	21	23						48		5
T252	Renault		732	21	23							30	5
T252A	Renault		732	21	23						48		5
T253	Renault		715	23				27					10
T255	Renault		700	21				23					10
T256	Renault		619	21								30	26
T257	Renault		710	21				23					10
T258	Renault		608	21								30	26
T265	Renault		750	23				23					6
T265A	Renault		750	23				23			44		6
T266	Renault		701	23								30	26
T266A	Renault		701	23							44		26
T267A	Renault		828	23				23			44		9
T268	Renault		657	23								30	26
T268A	Renault		657	23							44		26
T269	Renault		979	23	39								9
T269A	Renault		979	23	39						44		9
T270	Renault		593	23								37,1	26
T270A	Renault		593	23							44		26
T275A	Renault		1011	23	39						30		
T276A	Renault		599	23							30		
T278A	Renault		593	23							30		
T281A	Renault		1018	23	39						30		
T282A	Renault		585	23							30		
T283A	Renault		1004	23	39						30		
T284A	Renault		606	23							30		
T292	Alfa Romeo		405.5										15
T297	Alfa Romeo		590	25									
T297A	Alfa Romeo		590	25							44		
T300	Fiat		880	22								32	26
T301	Fiat		615	22								32	26
T306	Fiat		815	20								29	26
T307	Fiat		525	20								29	26
T347	Lada		867	22	24								13
T348	Lada		618	22	24								13

			L	A	D	F	G	K	O	X/Z	ABS	Ø	Pic
--	---	---	---	---	---	---	---	---	---	-----	-----	---	-----




T349	Skoda		890.5	22	22								6
T350	Skoda		619	22	22								6
T353	Opel, Vauxhall		611.5		27								14
T353A	Opel, Vauxhall		628.2		27						48		14
T354	Opel, Vauxhall		620		24								14
T354A	Opel, Vauxhall		636.4		24						48		14
T358	Fiat		878	22								32	26
T359	Fiat		540	22								32	26
T367	Autobianchi, Fiat, Lancia		820	20					43.1			29.2	26
T370	Fiat		870	20								32	26
T371	Fiat		555	20								32	26
T374	Fiat		868	20	22								6
T375	Fiat		560	20	22								6
T377A	Opel, Vauxhall		637.5		27						48		14
T378	Opel		636.5	22	34								4
T379	Opel		540	22				34	34				5
T380A1	Opel		940.5	22							29		4
T381A1	Opel		590.5	22							29		4
T382	Opel, Vauxhall		880	22	22								6
T383	Opel, Vauxhall		540	22	22								13
T384	Opel		935	33	22								6
T384A1	Opel		935	33	22						29		6
T385	Opel		935	33	22								6
T385A1	Opel		935	33	22						29		6
T386	Opel, Vauxhall		950	22	22								4
T386A1	Opel, Vauxhall		950	22	22						29		4
T387	Opel, Vauxhall		608	22	22								4
T387A1	Opel, Vauxhall		608	22	22						29		4
T390	Opel, Vauxhall		618	33	34								4
T390A1	Opel, Vauxhall		965	33	34						29		4
T390A2	Opel, Vauxhall		965	33	34						43		4
T391	Opel, Vauxhall		618	33	34								4
T391A1	Opel, Vauxhall		618	33	34						29		4
T391A2	Opel, Vauxhall		618	33	34						43		4
T394	Fiat		928	22					46.5			32	20
T394A	Fiat		928	22							44	32	26
T395	Fiat		570	22					46.5			32	20
T395A	Fiat		570	22							44	32	26
T397	Fiat, Lancia		465	25									1
T397A	Fiat, Lancia		465	25							90		1
T398	Fiat, Lancia		468	25					52				1
T398A	Fiat, Lancia		465	25							44		1
T399	Fiat		795	22								29	26
T400	Fiat		535	22								29	26
T401	Fiat		775	22	22								6
T402	Fiat		555	22	22								6
T405	Fiat		835	22	22								6
T405A	Fiat		835	22							44		6
T406	Fiat		585	22	22								6
T406A	Fiat		585	22							44		6
T407	Fiat		495	25									1
T407A	Fiat		495	25							44		1
T408	Fiat		475	25									1
T408A	Fiat		475	25							44		1
T409	Alfa Romeo		459.5	25									1
T409A	Alfa Romeo		459.5	25							44		1
T411	Alfa Romeo		503.5	25									1
T411A	Alfa Romeo		503.5	25							44		1
T414	Alfa Romeo		449	27									1
T415	Alfa Romeo		510.5	27									1
T415A1	Alfa Romeo		511.5	27							90		1
T416	Alfa Romeo		454	27									1

	 	L	A	D	F	G	K	O	X/Z	ABS	Ø	Pic
---	---	---	---	---	---	---	---	---	-----	-----	---	-----




T416A	Alfa Romeo	454	27							44		1
T417	Alfa Romeo	516.5	27									1
T417A	Alfa Romeo	516.5	27							44		1
T418	Alfa Romeo	518.5	25									1
T418A	Alfa Romeo	518.5	25							44		1
T421	Opel, Vauxhall	940.5	22	22								4
T423	Porsche	427										15
T425	Porsche	485										15
T426	Porsche	486.5										15
T427	Porsche	510										15
T428	Porsche	485										15
T429	Porsche	401.5										15
T435	Audi	594.5	22									1
T435A	Audi	594.5	22							96		1
T436	Audi, Volkswagen	641	22									1
T436A	Audi	641	22							96		1
T448A	Audi	685.5	26							96		1
T450	BMW	422.5										15
T454	BMW	583.5	27									14
T454A	BMW	583.5	27							48		14
T457	BMW	474.5										15
T459	BMW	457										15
T461	Ford	645	28	23								18
T462	Ford	620	28	23								18
T479	Porsche	609										14
T480A	Porsche	618	28							45		14
T484	Porsche	473.5										15
T486	Porsche	531.5										15
T488	Audi	568	33									2
T488A	Audi	568	33							45		2
T489	Audi	582	33									2
T489A	Audi	582	33							45		2
T490	Audi	635.5	38									2
T490A	Audi	635.5	38							45		2
T491	Audi	596.5	38									2
T492	Audi	568	33									2
T492A	Audi	568	33							45		2
T493	Audi	582	33									2
T493A	Audi	582	33							45		2
T496A	Audi	574	22							96		1
T498	Audi	571	33									2
T498A	Audi	571	33							45		2
T499	Audi	584.5	33									2
T499A	Audi	584.5	33							45		2
T500	Audi	655.5	26									1
T500A	Audi	655.5	26							96		1
T502	Audi	529	33									2
T502A	Audi	529	33							45		2
T503	Audi	638.5	33									2
T503A	Audi	638.5	33							45		2
T504	Audi	616	22									1
T504A	Audi	616	22							96		1
T505	Audi	630	22									1
T505A	Audi	630	22							96		1
T507	Ford	584	23	23								13
T507A	Ford	584	23	23						56		13
T508	Ford	861	23	23								13
T508A	Ford	861	23	23						56		13
T509	Ford	608	25	23	22							13
T509A	Ford	608	25	23						56		13
T510	Ford	904	25	23								13
T510A	Ford	904	25							56		13

			L	A	D	F	G	K	O	X/Z	ABS	Ø	Pic
--	---	---	---	---	---	---	---	---	---	-----	-----	---	-----




T511	Ford		866	25	23								13
T512	Ford		837	28	26								18
T513	Ford		605	28	26								18
T514	Ford		837	28	26								18
T515	Ford		605	28	26								18
T517	Ford		515										15
T520	Ford		509										15
T521	Ford		468										15
T523	Ford		768	23	23								13
T524	Ford		600	23	23								13
T525	Ford		896	23	23								13
T526	Ford		641	27	26								5
T526A	Ford		641	27	26						44		5
T527	Ford		588.5	27	35								6
T527A	Ford		588.5	27	35						44		6
T528	Ford		641	27	26								5
T528A	Ford		641	27	26						44		5
T529	Ford		588.5	27	35								6
T529A	Ford		588.5	27	35						44		6
T533	Volkswagen		726.5	20									1
T534	Volkswagen		736	22									1
T546	Audi		655	26									1
T546A	Audi		655	26							96		1
T547	Audi		616.5	26									1
T547A	Audi		616.5	22							96		1
T556A	Audi		617.5	38							45		2
T558	Audi		660	38									2
T558A	Audi		660	38							45		2
T559	Audi		622	38									2
T559A	Audi		622	38							45		2
T563A	Audi		519	38							45		3
T564A	Audi		499.5	38							45		3
T565A	Audi		574.5	38							45		3
T566A	Audi		658	38							45		3
T567A	Audi		622.5	38							45		3
T570A	Audi		658	38							45		3
T571A	Audi		622.5	38							45		3
T572	BMW		583.5	27									14
T572A	BMW		583.5	27							48		14
T573	BMW		625.5										14
T573A	BMW		625.5								48		14
T576	BMW		614										14
T576A	BMW		614								48		14
T577	BMW		467.5										15
T578	BMW		443.5										15
T579	BMW		458.5										15
T580	BMW		488										15
T581	Rover		672	29	21								5
T593	Rover		965	25	29								6
T594	Rover		554	25	29								7
T599	Rover		785	25									3
T601	Audi, Volkswagen		590	22									1
T602	Audi, Volkswagen		684	22									1
T603	Audi		577	22		30							1
T603A	Audi		577	22							96		1
T605	Audi		623	22									1
T606	Audi, Volkswagen		641	22									1
T607	Audi, Volkswagen		593	22									1
T612	Audi		641	22									1
T613A	Audi		595	22							96		1
T618A2	Audi		638	26							96		1
T619A2	Audi		692	26							96		1

			L	A	D	F	G	K	O	X/Z	ABS	Ø	Pic
---	---	---	---	---	---	---	---	---	---	-----	-----	---	-----




T620	Audi		660	26									1
T620A	Audi		660	26							96		1
T621A	Audi		610	38							45		2
T626A	Audi		667.5	26							96		1
T627	Audi		635.5	38									2
T627A	Audi		635.5	38							45		2
T628	Audi		597	38									2
T628A	Audi		597	38							45		2
T632	Mercedes Benz		559.5	27									17
T633	Mercedes Benz		650	27	27								16
T635	Mercedes Benz		730	30				30					10
T636	Mercedes Benz		669	25									14
T637	Mercedes Benz		637	25									14
T640	Mercedes Benz		569.5	25									3
T643	Volkswagen		471										15
T644	Volkswagen		543										15
T645	Volkswagen		536.5										15
T650	Volkswagen		792.5	22									1
T651	Volkswagen		559.5	22									1
T654	Rover		645	28	29								6
T654A	Rover		645	28	29						45		6
T656	Volkswagen		744	22		30				X			1
T657	Volkswagen		552.5	22									1
T658	Volkswagen		784.5	22									1
T660	Volkswagen		789.5	22								100	1
T661	Volkswagen		411.5										15
T662	Volkswagen		794.5	22								90	1
T663	Volkswagen		583.5	22									1
T664	Volkswagen		782	22									1
T668	Volkswagen		517.5										15
T669	Volkswagen		565.5										15
T670	Volkswagen		711.5	26									1
T675	Volvo		640										14
T676	Volvo		1054	26	26								9
T676A	Volvo		1054	26	26						48		6
T677	Volvo		603	26	26								6
T677A	Volvo		603	26	26						48		6
T678	Rover		810	25	22								6
T679	Rover		605	25	22								6
T686	Rover		890	26	22								6
T695	Seat		535	20								25.5	20
T696	Seat		820	20								25.5	20
T697	Saab		570									34	12
T698	Saab		624.5									34	12
T703	Saab		567.5									37	12
T704	Saab		622									37	12
T705	Saab		516	26								37	12
T705A1	Saab		516	26							46		12
T706	Saab		496	26								37	12
T706A1	Saab		496	26							46		12
T719	Seat		474	20									1
T720	Seat		735	20									1
T732	Mazda		905	26	24								6
T733	Mazda		625	26	24								6
T734	Mazda		626	26				26					13
T735	Mazda		573	26				26	56				6
T736	Mazda		628	24	24								6
T737	Mazda		907	24	24								6
T742	Mitsubishi		908	25	25								6
T743	Mitsubishi		578	25	25								13
T749	Subaru		714.5	30		25	25	23	58	Z			10
T751	Subaru		714	30		25	25	25	58	Z			10

			L	A	D	F	G	K	O	X/Z	ABS	Ø	Pic
--	---	---	---	---	---	---	---	---	---	-----	-----	---	-----




T753	Subaru		685	27	25								5
T782	Honda		537	23	25				45				6
T783	Honda		825	23	25				45				6
T786	Honda		600	23					49				6
T787	Honda		896	23					49				6
T790	Honda		605	26	25								6
T791	Honda		905	26	25								13
T796	Honda, Rover		607	26	27				49				13
T796A1	Honda, Rover		607	26	27				49		50		
T797	Honda, Rover		607	26	27				49				13
T797A1	Honda, Rover		607	26	27				49		50		
T809	Nissan		663.5	27	25								6
T809A	Nissan		663.5	27	25						42		6
T810	Nissan		944	27	25								6
T810A	Nissan		944	27	25						42		6
T811	Nissan		645.5	27	25								6
T811A	Nissan		645.5	27	25						42		6
T812	Nissan		968	27	25								6
T812A	Nissan		968	27	25						42		6
T817	Nissan		890	25	24								13
T818	Nissan		628	25	24								13
T825	Daihatsu		640	23				24					
T826	Daihatsu		835	24				23					
T828	Daihatsu		835	24				23					
T833	Chrysler		1008	26	25								6
T834	Chrysler		655	26	25								13
T839	Toyota		500	26									3
T840	Toyota		776	26									3
T846	Dacia		650	20				23					11
T849	Audi		584.3	33									3
T849A	Audi		584.3	33							45		3
T850	Audi		579	33									3
T850A	Audi		579	33							45		3
T853	Citroen		680	28	24								7
T853A1	Peugeot		680	28	24						29		
T853A2	Citroen		680	28	24						48		
T854	Citroen		940	28	24								9
T854A1	Peugeot		940	28	24						29		
T854A2	Citroen		940	28	24						48		
T855	Citroen		625	25	24								6
T856	Citroen		875	25	24								9
T857	Fiat		865	22								32	20
T858	Fiat		560	22								32	20
T859	Fiat		525	25									1
T859A1	Fiat		525	25							44		1
T859A2	Fiat		525	25							90		1
T860	Fiat		680	20									16
T861	Fiat		485	20									16
T875	Mazda		882	24	22								6
T876	Mazda		610	24	22								13
T878	Mazda		625	28	28								13
T878A	Mazda		625	28	28						44		13
T879	Mazda		573	28	28								5
T879A	Mazda		573	28	28						44		5
T880A	Mazda		623	26	28						44		13
T881A	Mazda		598	26	28						44		5
T882	Mercedes Benz		663	25									14
T883	Mercedes Benz		640	25									14
T890	Mitsubishi		598	25	25								13
T891	Mitsubishi		922	25	25								6
T911A1	Opel		681	33				34			29		5
T911A2	Opel		681	33				34			43		5

	 	L	A	D	F	G	K	O	X/Z	ABS	Ø	Pic
---	---	---	---	---	---	---	---	---	-----	-----	---	-----




T916	Peugeot	577	25	24								
T916A1	Peugeot	577	25	24						29		
T921	Rover	520	25									3
T922	Rover	592	26	29				49				6
T923	Rover	926	26	29				49				
T935	Toyota	925	26	23								
T936	Toyota	608	26	23								
T941	Volkswagen	525	38									2
T941A	Volkswagen	525	38							48		2
T942	Volkswagen	783	36									1
T943	Volkswagen	550	36									1
T944	Mercedes Benz	606	25									3
T945	Ford	915	25									13
T946	Ford	597	25	26								13
T949	Citroen, Fiat, Peugeot	650	27	24								6
T949A	Citroen, Fiat, Peugeot	650	27	24						48		6
T950	Citroen, Fiat, Peugeot	940	27	24								9
T950A	Citroen, Fiat, Peugeot	940	27	24						48		9
T951	Citroen	625	25	24								6
T951A1	Citroen	625	25	24						29		
T953	Opel	575	22	22								13
T956	Ford	865	25	23				56.6				13
T957	Ford	590	25	23				56.6				13
T961	Nissan	583	25	25								13
T962	Nissan	955	25	25								6
T964	Chrysler	1025	26	25								6
T964A	Chrysler	1025	26	25						47		6
T965	Chrysler	637	26	25								13
T965A	Chrysler	637	26	25						47		6
T966	Renault	745	21				23					10
T967	Mitsubishi	950	25	25								6
T968	Mitsubishi	610	25	25								13
T970	Rover	643	26	22								6
T979A	Citroen	615	25	37						48		13
T980A	Citroen	615	25	37						48		9
T981	Peugeot	650	25	24								7
T981A1	Peugeot	650	25	24						29	99	
T981A2	Peugeot	652	25	24						48		
T982	Peugeot	910	25	24								9
T982A1	Peugeot	910	25	24						29	99	
T982A2	Peugeot	910	25	24						48		
T983A1	Peugeot	670	25	37						29		6
T983A2	Peugeot	670	25	37						48		6
T984A1	Peugeot	940	25	37						29		9
T984A2	Peugeot	940	25	37						48		9
T986	Rover	943	28	24								6
T986A	Rover	943	28	24						45		6
T987	Rover	525	28	24								6
T987A	Rover	635	28	24						45		6
T990	Citroen	695	21	23								
T991	Citroen	595	21									
T992	Peugeot	890	25	24								8
T993	Peugeot	635	25	24								7
T994	Nissan	598	27	25								6
T994A	Nissan	598	27	25						42		6
T995	Nissan	989	27	25								6
T995A	Nissan	989	27	25						42		6
T996	Ford	585	25	23								13
T997	Peugeot	660	25	24								7
T997A1	Peugeot	660	25	24						29	99	
T997A2	Peugeot	660	25	24						48		
T998	Opel	940	22	22								6

			L	A	D	F	G	K	O	X/Z	ABS	Ø	Pic
--	---	---	---	---	---	---	---	---	---	-----	-----	---	-----




T999	Peugeot		655	25	22								7
T999A1	Peugeot		655	25	22						29		7
T999A2	Peugeot		655	25	22						48		7
T1004	Chrysler		1025	26	25								6
T1005	Chrysler		637	26	25								6
T1015	Mazda		618	26	26								
T1016	Mazda		612	26	26								
T1017	Renault		645	21								30	26
T1018	Renault		725	21				23					10
T1021	Volkswagen		515	22									1
T1022	Volvo		745	23	22								
T1022A	Volvo		745	23	22						44		
T1023	Volvo		632	22					30				
T1023A	Volvo		632	22					30		44		
T1025	Honda		618	26	25								13
T1026	Renault		758	21				23					5
T1026A	Renault		748	21				23			44		5
T1027	Renault		648	21								30	26
T1027A	Renault		651	21							44		26
T1028	Volkswagen		608	22									1
T1036	Citroen		929	28	27								
T1037A	Audi		607	33							45		3
T1038A	Audi		628.5	33							45		3
T1046	Nissan		625	25	24								6
T1047	Nissan		625	25	24								13
T1049A	Alfa Romeo		500	25	28						44		
T1051	Zaz		610	22	22								6
T1052	Zaz		844	22	22								6
T1055A	Renault		660	23							44		20
T1056A	Renault		795	23	23						44		9
T1058A1	Peugeot		956	28	41						29		
T1058A2	Citroen		956	28	41						48		
T1059A1	Peugeot		645	28	41						29		
T1059A2	Citroen		645	28	41						48		
T1066A	Audi		533	38							45		3
T1067A	Audi		481	38							45		3
T1072	Renault		750	21				23					6
T1073	Renault		701	21								30	26
T1074A	Audi		631.5	33							45		2
T1075A	Audi		609.5	33							45		2
T1083A	Renault		651	23							44		26
T1084A	Renault		748	23				23			44		5
T1091A	Citroen		615	15	37						48		13
T1094A	Volvo		1052	26	26						48		9
T1095A	Volvo		600.5	26	26						48		6
T1096	Volkswagen		524										15
T1108A	Rover		995	28	25						45		6
T1117	Alfa Romeo		478.5	25									1
T1117A	Alfa Romeo		478.5	25							44		1
T1118	Fiat		492	20									1
T1120A	Volvo		746	22				23	50		44		
T1121A	Volvo		638	22					50		44	30	
T1128A	Audi		578	38							45		2
T1129A	Audi		586	38							45		2
T1130	Nissan		840	23	24								6
T1131	Nissan		595	23	24								6
T1133	Ford		686.5	27	35								5
T1136A	Audi		632.5	38							45		3
T1137A	Volkswagen		611	38							45		3
T1138	Honda		910	26	25								6
T1139	Honda		607	26	25								13
T1140	Renault		760	21				23					11

			L	A	D	F	G	K	O	X/Z	ABS	Ø	Pic
---	---	---	---	---	---	---	---	---	---	-----	-----	---	-----




T1140A	Renault	760	21					23			26		11
T1141	Renault	625	21									30	26
T1141A	Renault	625	21								26	30	26
T1142A	Mercedes Benz	528	27								48		1
T1145	Volkswagen	557.5	22										3
T1148	Renault	706	23										26
T1149	Renault	747	23					23					5
T1150	Peugeot	600	21	24									6
T1151	Peugeot	845	21	24									9
T1152	Fiat	835	22										1
T1154A	Chrysler	1030	26	25							47		6
T1155A	Chrysler	639	26	25							47		6
T1157	Volkswagen	517	38										2
T1157A	Volkswagen	517	38								48		2
T1160A	Audi	610.5	33								45		2
T1161A	Audi	632.5	33								45		2
T1163	Citroen	616	21	22									6
T1164	Citroen	878	21	22									9
T1165	Ford	865	25					23					6
T1166	Ford	590	25	23									6
T1168	Mercedes Benz	628	25										14
T1177A	Audi	506	33								45		3
T1178	Renault	748	23					23					5
T1178A	Renault	748	23					23			44		5
T1179	Renault	703	23										
T1180	Fiat	921	22							Z			26
T1180A	Fiat	921	22								44		26
T1181	Fiat	587	22							Z			26
T1181A	Fiat	587	22								44		26
T1183	Mitsubishi	933	25	25									
T1184	Renault	1123	28	39			39						8
T1184A	Renault	1123	28	39							51		8
T1185	Renault	668	28									37.1	26
T1185A	Renault	668	28								51		26
T1186	Ford, Seat, Volkswagen	582.5	38					35					5
T1186A	Ford, Seat, Volkswagen	582.5	38					35			48		5
T1187	Ford, Seat, Volkswagen	643	38	26									4
T1187A	Ford, Seat, Volkswagen	643	38	26							48		4
T1190A	Renault	985	23	39							30		9
T1191A	Renault	597	23								30		26
T1192	Fiat	494.5	25										3
T1192A	Fiat	494.5	25								44		
T1193	Audi	478	33										3
T1193A	Audi	478	33								45		3
T1194	Audi	530	33										3
T1194A	Audi	530	33								45		3
T1195	Renault	648	23									30	26
T1195A	Renault	657	23								44		26
T1196	Renault	748	23					23					5
T1196A	Renault	758	23					23			44		5
T1202	Mazda	567	28	28									
T1202A	Mazda	567	28	28							90		
T1203	Mazda	608	28	28									
T1203A	Mazda	608	28	28							90		
T1204	Alfa Romeo	468	25										
T1204A	Alfa Romeo	468	25								32		
T1205	Citroen	640	25	24									7
T1205A	Citroen	640	25	24							48		7
T1206	Citroen	890	25	24									9
T1206A	Citroen	890	25	24							48		9
T1207A	Citroen	650	25	24							48		7
T1208A	Citroen	890	25	24							48		9

			L	A	D	F	G	K	O	X/Z	ABS	Ø	Pic
--	---	---	---	---	---	---	---	---	---	-----	-----	---	-----




T1211	Kia		625	26	24								13
T1212	Kia		895	26	24								6
T1216	Opel, Vauxhall		910	22	22								4
T1216A	Opel		910	22	22						29		4
T1217	Opel, Vauxhall		562	22	22								4
T1217A	Opel		561	22	22						29		4
T1218A	Saab		600	33	34						29		
T1219A	Audi		588	38							45		
T1220A	Audi		507	38							45		
T1221A	Audi		515	38							45		
T1222A	Audi		641.5	38							45		3
T1223A	Audi		672	38							45		
T1224	Audi		522.5	33									2
T1224A	Audi		522.5	33							45		2
T1225	Audi		628	33									2
T1225A	Audi		628	33							45		2
T1226A	Audi		588.5	38							45		2
T1228A	Audi		593	38							45		2
T1229	BMW		648	30									14
T1230	BMW		497										15
T1231	BMW		642	30									
T1232	BMW		457										15
T1233A	BMW		624.5		27						48		13
T1234A	BMW		849	27	24						48		13
T1235A	BMW		448								x		15
T1236	Alfa Romeo		466	25									1
T1237	Alfa Romeo		499.5	25									1
T1237A	Alfa Romeo		499.5	25							44		1
T1238A	Alfa Romeo		490	25							32		
T1239	Fiat		575	22	22								4
T1239A	Fiat		575		22						44		4
T1240	Fiat		932	22	22								4
T1240A	Fiat		932		22						44		4
T1242A	Lancia		528	27							44		1
T1243A	Lancia		465	27							44		1
T1244	Ford		686.5	27	35								5
T1247A	Audi		593	38							45		2
T1248A	Audi		571	38							45		2
T1249A	Audi		538	38							45		3
T1250A	Audi		574.5	38							45		2
T1251A	Audi		508.5	38							45		3
T1252A	Audi		636.5	38							45		2
T1253A	Audi		589	33							45		2
T1255A	Audi		660	38							45		
T1260	Rover		485										19
T1261	Mazda		622	26	26								13
T1262	Mazda		570	26				26					13
T1263	Alfa Romeo		485	25									1
T1263A	Alfa Romeo		485	25							44		1
T1265	PEUGEOT		618	21	24								7
T1265A	Peugeot		618	21	24						48		7
T1266	PEUGEOT		911	21	24								9
T1266A	Peugeot		911	21	24						48		9
T1270A	Rover		583	28	29						45		6
T1271	Rover		815	25	22								6
T1273	Opel		590.5	22									4
T1274	Opel		940.5	22									4
T1275	Peugeot		620	25	22								6
T1275A	Citroen		615	25	22						29		6
T1276	Citroen, Peugeot		890	25	22								9
T1276A	Citroen		882	25	22						29		9
T1283	Volvo		627	25									20

			L	A	D	F	G	K	O	X/Z	ABS	Ø	Pic
---	---	---	---	---	---	---	---	---	---	-----	-----	---	-----




T1283A	Volvo	627	25						54		43	30	
T1284	Volvo	815	25										
T1284A	Volvo	815	25	23					54		43		
T1285	Peugeot	627	21	22									7
T1285A	Peugeot	627	21	22							48		7
T1286	Peugeot	901	21	24									9
T1286A	Peugeot	903	21	22							48		9
T1287A	Renault	683	23	26							30		7
T1288A	Renault	931	23	26							30		9
T1294	Seat, Volkswagen	820.5	36						53	X			1
T1295	Fiat	477	25										3
T1295A	Fiat	477	25								44		
T1297A	Lancia	526.5	27								44		1
T1298	Fiat												
T1299	Fiat	457	25										3
T1300	BMW	626	30										
T1301	BMW	628	30										
T1302	Alfa Romeo	477	27										
T1303	Fiat	492.5	25										
T1303A	Fiat	482.5	25								44		
T1304	Ford	812	25	25									9
T1306	Fiat	480	25										3
T1307	Audi, Seat, Volkswagen	553	36						53	X			1
T1308	Audi, Seat, Volkswagen	820	36						53	X			1
T1309A	Fiat	485	25								44		1
T1310	Ford	905	25	26					56.6				9
T1311	Rover	600	28	27					60				
T1311A	Rover	600	28	27					60		50		
T1312	Rover	558	28	27					60				
T1312A	Rover	558	28	27					60		50		
T1313	Alfa Romeo	540	27										
T1314	Alfa Romeo	517	27										
T1316	Alfa Romeo	645	25										1
T1316A	Alfa Romeo	645									44		1
T1317	Alfa Romeo	535	25										1
T1324	Ford	534											15
T1325	Ford	492											15
T1330A	Peugeot	925	25	24							48		9
T1331A	Peugeot	630	25	24							48		7
T1336	Volkswagen	820	36						53	X		100	
T1337	Volkswagen	556.5	36						53	X		100	
T1338	Mazda	580	26	28									13
T1339	Mazda	640	26	24									6
T1340	Fiat	955	27	37									6
T1340A	Fiat	955	27	37							48		6
T1341	Fiat	641	27	37									6
T1341A	Fiat	641	27	37							48		6
T1342	Volkswagen	805	36										1
T1343	SEAT	517	36										1
T1344A	Renault	754	21					23			26		11
T1346A1	Renault	650	21								26		11
T1347A	Renault	650	21								26		6
T1350A	Renault	1020	23	26							30		9
T1351A	Renault	597	23	26							30		7
T1352	Renault	955	23	39									
T1353	Renault	597	23										
T1354	Renault	742	23	23									
T1358	Citroen	934	25	37									9
T1359	Citroen	620	25	37									6
T1360	Citroen	957	25	37									9
T1361	Citroen	650	25	37									6
T1364	Citroen	964	25	37									9

			L	A	D	F	G	K	O	X/Z	ABS	Ø	Pic
--	---	---	---	---	---	---	---	---	---	-----	-----	---	-----




T1365	Citroen		640	25	37								6
T1366	Skoda		536	38									2
T1366A	Volkswagen		536	38							48		2
T1367A	Mercedes Benz		500	27							48		1
T1368	Peugeot		640	25	24								
T1369	Peugeot		940	25	24								
T1370	Peugeot		645	25	24								
T1371	Citroen		670	25	24								6
T1372	Citroen		960	25	24								9
T1373	Citroen		680	25	24								6
T1374	Citroen		804	21	22								
T1374A	Citroen		804	21	22						48		
T1375	Citroen		620	21	22								
T1375A	Citroen		620	21	22						48		
T1386A	Renault		805	27				23			44		5
T1387A	Renault		728	27							44		26
T1388A	Renault		982	27	39						44		9
T1389A	Renault		618	27							44		26
T1390A	Audi		654	38							45		3
T1394A	Audi		628	33							45		3
T1395A	Audi		607	33							45		3
T1398	Renault		970	27	39								
T1399	Renault		635	27									
T1403	Ford		598	25	26				56.6				
T1404	Renault		801	27	23								
T1405	Renault		723	27									
T1406	Citroen		858	21	22								
T1407	Citroen		666	21	22								
T1410	Citroen		866	21	22								
T1411	Citroen		653	21	22								
T1415	Citroen		648	21	24								6
T1416	Citroen		870	21	24								9
T1421	Ford		609	25	26				53.2				
T1422	Ford		965	25	26				53.2				
T1423	Ford		635	25	23								6
T1424	Ford		932	23	25								8
T1437	Opel		672	27									26
T1438	Opel		1018	27	39								9
T1441	Renault		752	23	23								
T1443	Renault		630	23									26
T1443A1	Renault		630	23							26		26
T1443A2	Renault		630	23							44		26
T1444A1	Renault		750	23							26		11
T1444A2	Renault		750	23							44		11
T1445	Renault		655	21									
T1446	Renault		758	21				23					5
T1446A	Renault		748	21				23			44		5
T1447	Renault		618	23									
T1448	Renault		930	23	39								
T1449	Honda		903	26	25								
T1454	Citroen		858	21	22								6
T1455	Citroen		660	21	22								6
T1456	Citroen		772	21				26					5
T1457	Citroen		637	21	26								6
T1458	Opel		1158	28	39								8
T1458A	Opel		1158	28	39						51		8
T1459	Opel		660	28									26
T1459A	Opel		660	28							51		26
T1460	Opel		1148	28	39								8
T1460A	Opel		1148	28	39						51		8
T1465	Seat												
T1466	Seat												

			L	A	D	F	G	K	O	X/Z	ABS	Ø	Pic
---	---	---	---	---	---	---	---	---	---	-----	-----	---	-----




T1467A	Volkswagen										x		
T1468A	Volkswagen										x		
T1469A	Ford	537	38								48		3
T1470	Audi												
T1471	Audi												
T1472	Seat												
T1473	Seat												
T1474A	Audi										x		
T1475A	Audi										x		
T1477A	Audi										x		
T1478A	Audi										x		
T1479	Audi												
T1480	Audi												
T1481	Seat												
T1482	Seat												
T1483	Seat												
T1484	Skoda												
T1486	Suzuki												
T1487	Suzuki												
T1488	Suzuki												
T1489	Suzuki												
T1490	Suzuki												
T1491	Suzuki												
T1492	Ford	799	28	26									
T1493	Ford	1057	28	26									
T1495	Suzuki												
T1496	Suzuki												
T1497	Audi												
T1498	Audi												
T1499	Kia												
T1500	Kia												
T1503	Nissan												
T1504	Nissan												
T1505	Citroen												
T1506	Citroen												
T1507	Renault												
T1508	Renault												
T1509A2	Renault										44		
T1510A2	Renault										44		
T1511	Renault												
T1512	Renault												
T1513	Rover												
T1513A1	Rover										43		
T1514	Rover												
T1514A1	Rover										43		
T1515	Daewoo												
T1516	Daewoo												
T1517	Seat												
T1518	Seat												
T1519	Opel												
T1519A1	Opel										29		
T1520	Opel												
T1520A1	Opel										29		
T1521	Seat												
T1522	Seat												
T1523	Seat												
T1524	Seat												
T1525A	Saab										x		
T1526	Peugeot	894	25	22									9
T1526A1	Peugeot	894	25	22							48		9
T1527	Peugeot	613	25	22									7
T1527A1	Peugeot	613	25	22							48		7

			L	A	D	F	G	K	O	X/Z	ABS	Ø	Pic
--	---	---	---	---	---	---	---	---	---	-----	-----	---	-----

T1535A	Toyota		955	26	20							48		13
T1536	Renault		1010	27	39									
T1541	Opel		641	28										26
T1541A	Opel		641	28							51			26
T1542	Opel		1180	28	39									8
T1542A	Opel		1180	28	39						51			8
T1543A	Renault		709	28	39						51			6
T1544A	Renault		1154	28	39						51			8
T1546	Alfa Romeo		530	25										1
T1547	Peugeot		645	25	22									6
T1548	Peugeot		928	25	22									9
T1549	Fiat		470	25										1
T1550	Fiat		470	25										1
T1550A	Fiat		470	25							44			1
T1551	Fiat		610	22										6
T1551A	Fiat		610	22							44			6
T1552	Fiat		935	22										6
T1552A	Fiat		935	22							44			6
T1553	Fiat		600	25								32		26
T1553A	Fiat		600	25							44	32		26
T1554	Fiat		970	25								32		26
T1554A	Fiat		970	25							44	32		26
T1555	Fiat		470	25										1
T1555A	Fiat		470	25							44			1
T1558	Renault													
T1559	Renault													
T5003	Volkswagen		554	36					53	X				1
T5004	Audi, Seat, Volkswagen		554	36					53	X				1
T5005	Audi, Seat, Volkswagen		820.5	36					53	X				1
T5006	Audi, Volkswagen		553	36					53	X				1
T5007	Audi, Seat, Volkswagen		820	36					53	X				1
T5008	Ford, Seat, Volkswagen		643	38	26						48			4
T5009	Volkswagen		525	38										2
T5010	Volkswagen		525	38							48			2
T5011	Ford, Seat, Volkswagen		643	38	26						48			4
T5012	Ford, Seat, Volkswagen		545.5	38							48			2
T5013	Ford, Seat, Volkswagen		582.3	38				35			48			5
T5014	Nissan		466.5	23	21									6
T5015	Nissan		681.4	23	21									6
T5016	Toyota		645	26	23									13
T5017	Toyota		645	26	23						48			13
T5018	Toyota			26	23						48			13
T5019	Toyota		645	26	20									13
T5020	Toyota			26	20									9
T5021	Toyota			26	20						48			9
T5022	Toyota		645	26	20						48			13
T5025	Chrysler		639	26	25						47			6
T5026	Chrysler		1030	26	25						47			6
T5027	Chrysler		639	26	25						47			6
T5028	Chrysler		1030	26	25						47			6
T5029	Chrysler		637	26	25						47			6
T5030	Chrysler		1025	26	25						47			6
T5031	Ford, Volkswagen		526	38				35			48			5
T5032	Ford, Seat, Volkswagen		537	38							48			3
T5033	Ford, Seat, Volkswagen		568	38							48			3
T5034	Suzuki		700	23	22									6
T5035	Suzuki		790	23	22									6
T5037	Porsche		698	28					55	X				14
T5039	Porsche		566	28					55	X				14
T5040	Porsche		687.2	28					60	X				14
T5042	Saab		639.9							X	29			
T5043	Saab		620.8								29			




			L	A	D	F	G	K	O	X/Z	ABS	Ø	Pic
---	---	---	---	---	---	---	---	---	---	-----	-----	---	-----

T5044	Saab	620.8									29		
T5045	Saab	494.3									29		
T5046	Volvo	1053.8	26							Z	48		
T5047	Volvo	1053.8	26	26						Z	48		
T5048	Volvo	1051.4	26	26						Z	48		
T5050	Volvo									Z			
T5051	Volvo												
T5052	Audi	667.5	26								96		1
T5054	Volkswagen	517	38										2
T5057	Citroen	620	25	24									6
T5058	Citroen	875	25	24									
T5059	Citroen	875	25	24							29		
T5060	Volvo	603	26	26							48		6
T5061	Volvo	1054	26	26							48		9
T5062	Volvo	600.5	26	26						Z	48		6
T5063	Volvo	1052	26	26							48		9
T5064	Rover	583	28	29									6
T5065	Rover	985	28	29									6
T5066	Rover	990	28	29							45		6
T5067	Rover	632	28	24									6
T5068	Rover	945	28	24									6
T5069	Rover	945	28	24							45		6
T5071	Honda, Rover	649	26	22							27		6
T5072	Honda, Rover	890	26	22							27		6
T5073	Rover	590	26	29									6
T5074	Rover	940	26	29									6
T5077	Renault	657	23										26
T5078	Renault	758	23					23					5
T5079	Volkswagen	528	38								48		2
T5080	Volkswagen	528	38										2
T5081	Peugeot	620	21	22									7
T5082	Peugeot	620	21	22							48		7
T5087	BMW	610.6	27								48		14
T5088	BMW	623	27								48		14
T5089	BMW	612	27								48		14
T5090	Citroen	622	21	22									6
T5091	Citroen	890	21	22									9
T5094	Citroen	610	25	22									6
T5095	Citroen	884	25	22									9
T5096	Citroen	608	25	22									6
T5097	Citroen	882	25	22									9
T5098	Citroen	625	25	22							29		6
T5099	Citroen, Peugeot	884	25	24									9
T5100	Citroen	616	25	24							29		6
T5101	Citroen, Peugeot	884	25	24							29		9
T5102	Citroen, Peugeot	608	25	24									6
T5103	Citroen, Peugeot	608	25	24							29		6
T5104	Audi	632.6	38								45		3
T5106	Audi	559.2	38								45		3
T5107	Audi	530.5	38								45		3
T5108	Mercedes Benz	631	25										14
T5109	Mercedes Benz	661	25								48		14
T5110	Mercedes Benz	645	25								48		14
T5111	Lancia	520									44		1
T5112	Alfa Romeo	478.5	25								44		1
T5117	Citroen, Peugeot	617	21	22									
T5118	Citroen, Peugeot	811	21	22									
T5119	Citroen, Peugeot	617	21	22							48		
T5120	Citroen, Peugeot	811	21	22							48		
T5121	Citroen, Peugeot	603	21								48		
T5122	Citroen, Peugeot	701	21	23							48		
T5123	Opel, Vauxhall	638.5		27							48		14

			L	A	D	F	G	K	O	X/Z	ABS	Ø	Pic
--	---	---	---	---	---	---	---	---	---	-----	-----	---	-----

T5124	Ford		686.5	27	35						44		5
T5129	Peugeot		625	25	24								7
T5130	Peugeot		625	25	24								7
T5131	Peugeot		870	25	24								9
T5132	Peugeot		800	27	27								18
T5133	Peugeot		610	25	24								7
T5134	Peugeot		850	25	24								9
T5135	Peugeot		910	25	24								
T5136	Citroen, Peugeot		516	21							48		
T5137	Citroen, Peugeot		467	21							48		
T5138	Ford		573	23	23								13
T5139	Ford		853.5	23	23								13
T5140	Porsche		406										15
T5141	Porsche		531.5										15
T5142	Porsche		610.5	28							45		14
T5143	Porsche		678	28									14
T5144	BMW		467.5										15
T5145	BMW		617										14
T5146	Renault		631	21									26
T5147	Renault		730	23				23					10
T5148	Renault		640	21									26
T5149	Renault		619	21									26
T5150	Renault		608	21									26
T5151	Renault		828	23				23					9
T5152	Audi		661	38							45		2
T5153	Volkswagen		750	22									1
T5154	Audi		519	38							45		3
T5155	Audi		582	33							45		2
T5156	Audi		568	33							45	90	2
T5157	Audi		614.5	38							45		2
T5158	Audi		594	33							45		3
T5159	Audi		568	33									2
T5160	Audi		582	33									2
T5161	Audi		586	38							45		2
T5162	Audi		572	38							45		2
T5163	Volkswagen		790.5	22									3
T5164	Citroen, Peugeot		640	21	22								
T5165	Citroen, Peugeot		840	21	22								
T5166	Citroen, Peugeot		640	21	22						48		
T5167	Citroen, Peugeot		840	21	22						48		
T5168	Renault		1025	23	39						30		9
T5170	Ford		584	23	23								13
T5171	Volkswagen		772.5	22									1
T5172	Saab		616.5	33	34						29		4
T5173	Saab		575.5	33				34			29		5
T5174	Saab		581	33				34		Z	29		5
T5175	Saab		620.5	33	34					Z	29		4
T5176	Saab		567.5										12
T5178	Ford		861	23									13
T5179	Mazda		625	26	26								
T5180	Mazda		573	26				26		Z			10
T5181	Audi		581.5	38							45		3
T5182	Ford		902	25				23					9
T5183	Ford		605	25	23								13
T5184	Ford		512	25									26
T5185	Dacia		608	20									26
T5186	Dacia		740	20				23					5
T5187	Alfa Romeo		520										26
T5188	Alfa Romeo		530										26
T5189	Ford		513	38							48		3
T5190	Ford		577	38							48		6
T5191	Honda										x		

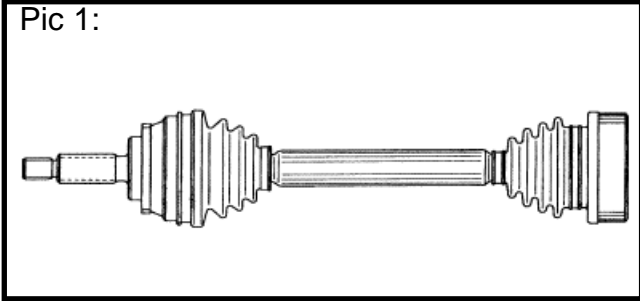
INFO

			L	A	D	F	G	K	O	X/Z	ABS	Ø	Pic
---	---	---	---	---	---	---	---	---	---	-----	-----	---	-----

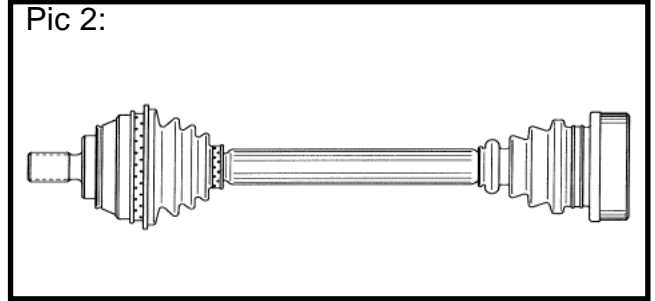
T5192	Honda										x		
T5193	Honda												
T5194	Mini	648	26	22					54				6
T5195	Mini	615	26	33					54				6
T5196	Mini	914	26	22					54				9
T5197	Mini	950	26	22					54				9
T5198	Mini	616	26	34					54				6
T5199	Mini	943	26	34					54				9
T5202	Renault												
T5203	Renault												
T5206	Renault												
T5207	Renault												
T5208	Renault												
T5209	Renault												
T5210	Renault												
T5211	Renault												
T5212	Renault												
T5213	Renault	1078	23	39							30		
T5214	Renault												
T5215	Renault												
T5216	Renault												
T5217	Subaru												
T5218	Suzuki	628	23	22									6
T5219	Suzuki	628	23					22					5
T5221	Toyota												
T5223	Mazda												

Zeichnungen / Afbeelding / Illustration
Drawings / Dibujo / Ritning

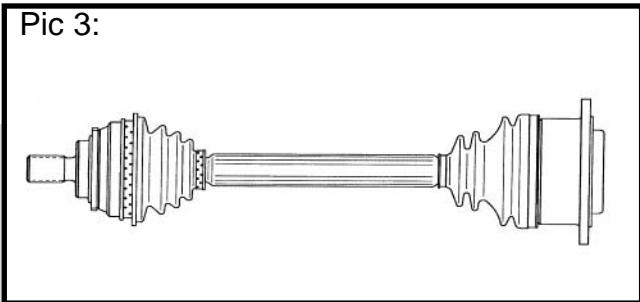
Pic 1:



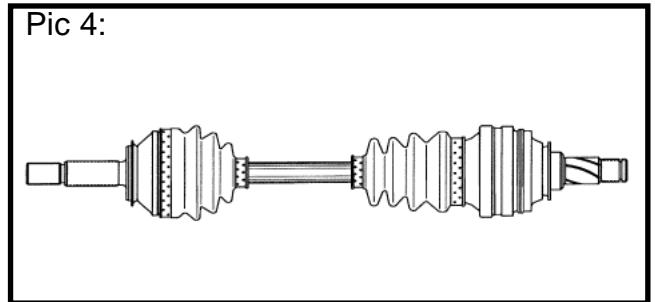
Pic 2:



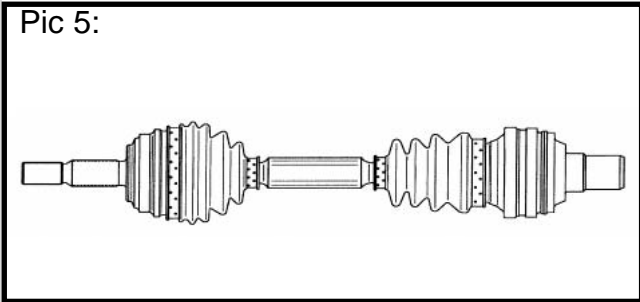
Pic 3:



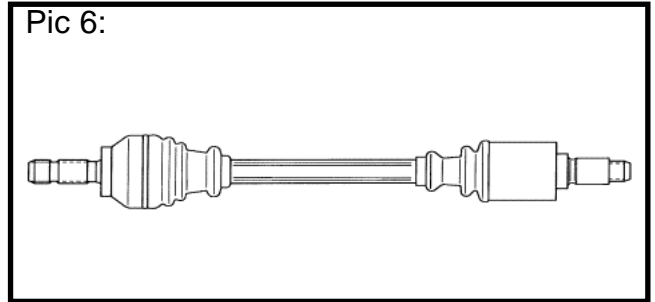
Pic 4:



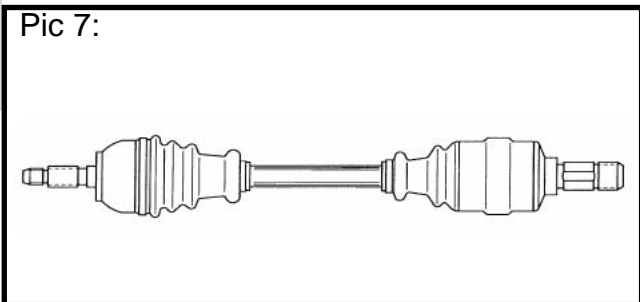
Pic 5:



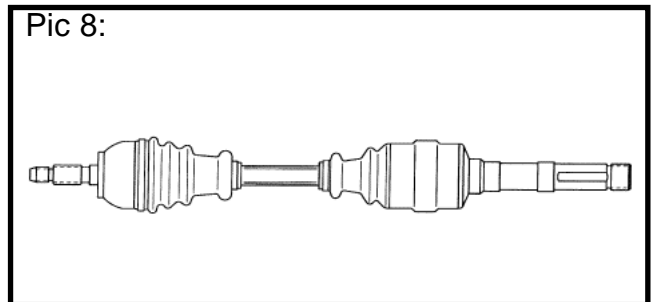
Pic 6:



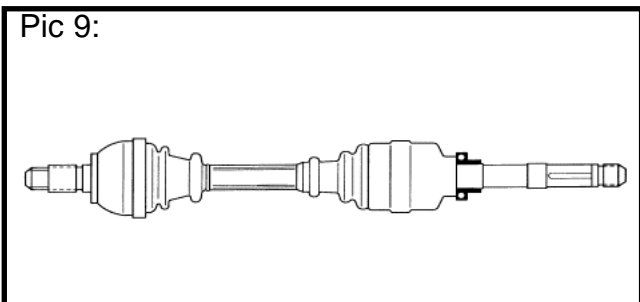
Pic 7:



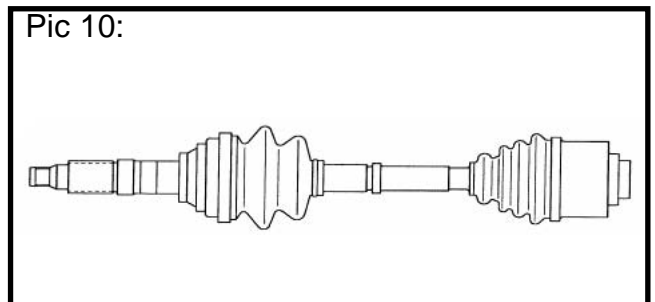
Pic 8:



Pic 9:



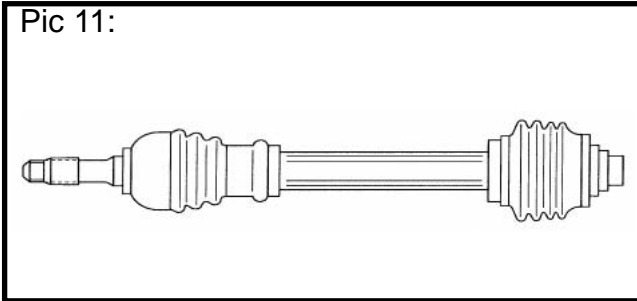
Pic 10:



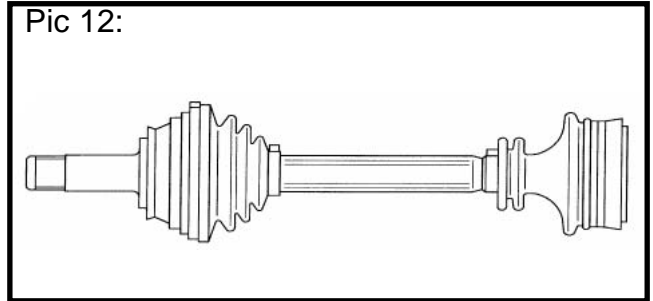
INFO

Zeichnungen / Afbeelding / Illustration
Drawings / Dibujo / Ritning

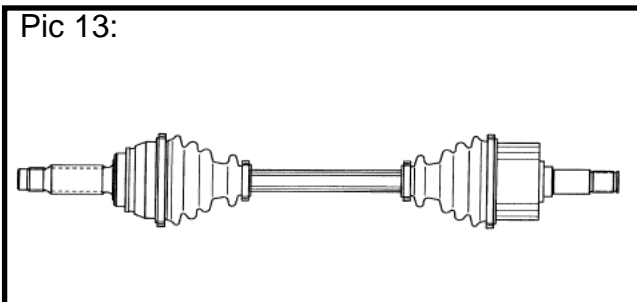
Pic 11:



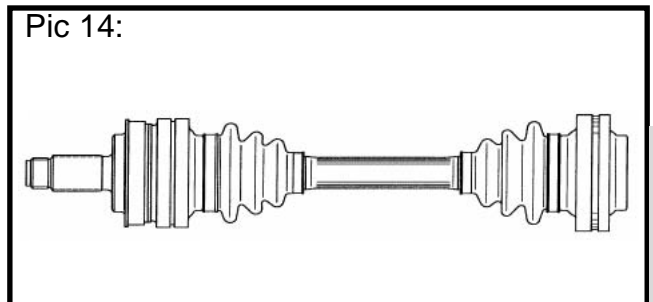
Pic 12:



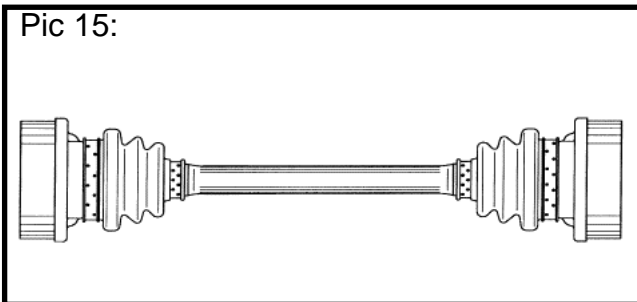
Pic 13:



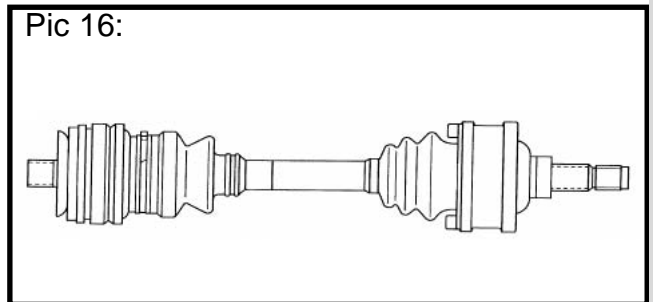
Pic 14:



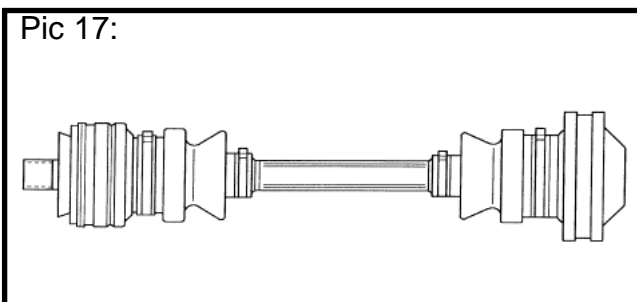
Pic 15:



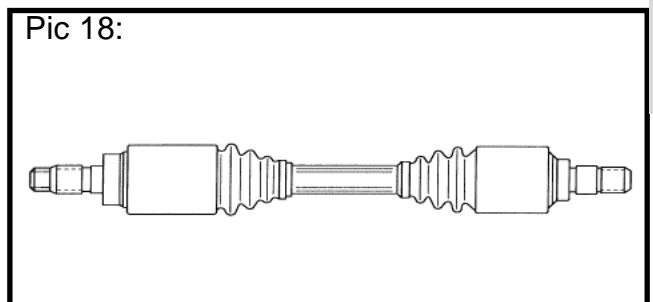
Pic 16:



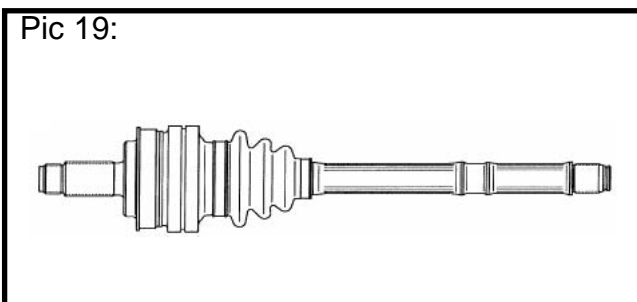
Pic 17:



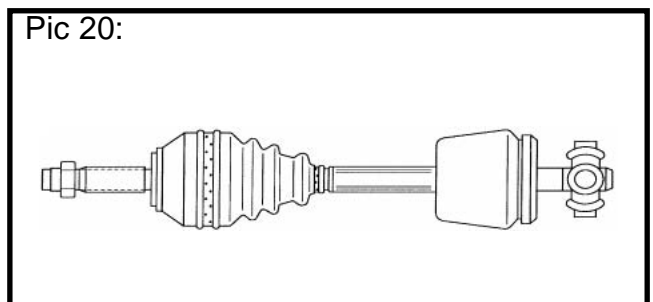
Pic 18:



Pic 19:



Pic 20:



INFO