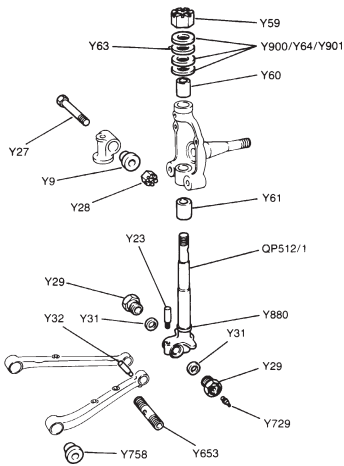
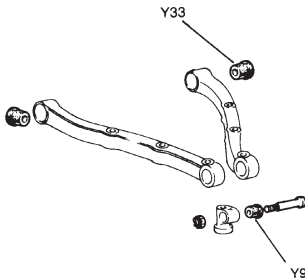


QSK9S Major repair kit, Wheel set - comprising:-



QP512/1	No Leyland Pt. No.	1	Swivel Pin
Y59	ATC4265	1	Nut - Swivel Pin
Y60*	1B4610	1	Bush - Swivel Pin - upper
Y61*	1B4611, 21B229	1	Bush - Swivel Pin - lower
Y880*	TRS1620	2	Ring - Rubber - Swivel Pin
Y63*	ATC4264	1	Thrust Washer
Y900	ATC4261	2	Thrust Washer (1.32-1.44mm)
Y901	ATC4263	2	Thrust Washer (1.62-17.5mm)
Y64*	ATC4262	2	Thrust Washer (1.47-1.60mm)
Y23*	53K1764, 53K1770	1	Cotter and Nut - Swivel Pin
Y27*	1G4349	1	Fulcrum Pin
Y28*	FNZ407	1	Nut - Fulcrum Pin
Y9*	8G621	2	Bush - Top Link
Y758*	ACB9274	4	Bush - Lower Link
Y653*	21B288	1	Fulcrum Pin - Lower Link
Y31	1G4505	2	Washer (cork)
Y29*	1G4346	2	Bush - Lower Link
Y729*	UHN400	2	Lubricator - Front and Rear Bushes
Y32*	1G4350	2	Cotter - Link to Bushes
Y730	-	2	Lubricator
Y470	LWZ204	1	Washer - Spring
Y733	UHN445	1	Lubricator, Swivel Pin

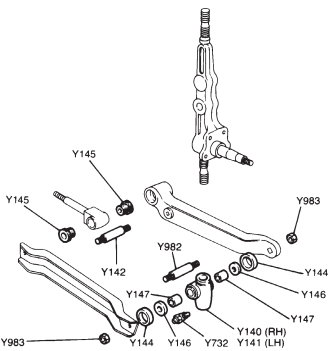
QSK10S Linkage bush kit, Wheel set - comprising:-



Y9*	8G621	2	Bush - Upper Link
Y33	8G667	4	Bush - Lower Link

QSK13RH Lower linkage kit, RH wheel set

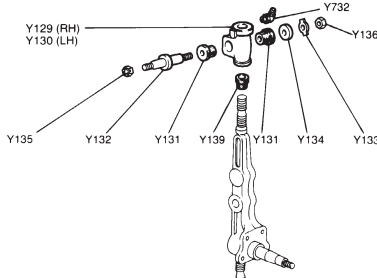
QSK13LH Lower linkage kit, LH wheel set - comprising:-



Y140*	BTA722	1	Lower Link - right hand (only QSK13RH)
Y141*	BTA723	1	Lower Link - left hand (only QSK13LH)
Y142*	AAA1407	1	Fulcrum Pin
Y982*	21G4002	1	Fulcrum Pin
Y144	ACA5281	2	Seal
Y139	ACA4012	1	Seal
Y145*	ACA5242	2	Rubber Bush
Y146	ACA5280	2	Thrust Washer
Y732	ACA5122, AAA686	1	Lubricator
Y147	ACA4009	2	Bush
Y983	FNZ106	2	Nut for Outer Fulcrum Pin

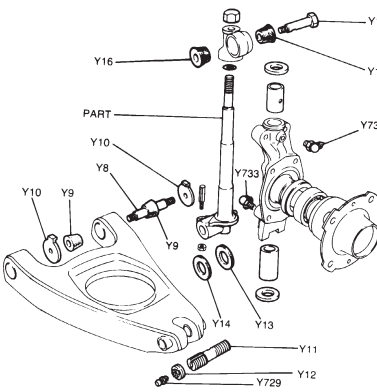
QSK14RH Upper linkage kit, RH wheel set

QSK14LH Upper linkage kit, LH wheel set - comprising:-



Y129*	AAA3680	1	Upper Link - right hand (only QSK14RH)
Y130*	AAA3681	1	Upper Link - left hand (only QSK14LH)
Y132	AAA3653	1	Pivot Pin
Y131*	ACA5282	2	Rubber Bush
Y133	ACA5277	1	Lock Washer
Y134	21G4028	1	End Washer
Y135	AJD8408Z	1	Slotted Nut
Y136	AJD8108Z	1	Nut
Y732	ACA5122, UHN490	1	Lubricator
Y139	ACA4012	1	Rubber Seal

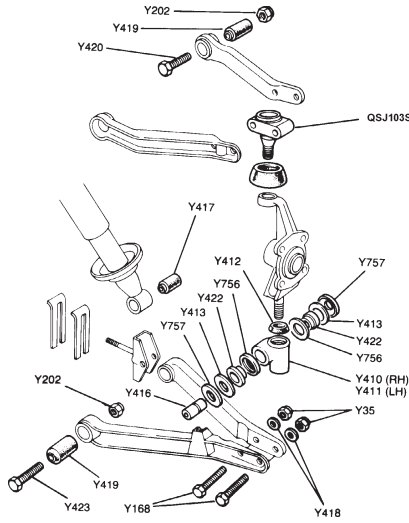
QSK79AS Fulcrum pin kit, Wheel set - comprising:-



Y8	2A4272	2	Fulcrum Pin - inner - Lower Link
Y9*	8G621	4	Bush - Lower Link
Y10	2A4024	2	Washer - Fulcrum Pin
Y11*	2A4020	1	Fulcrum Pin - outer
Y12	8G589	1	Plug - Fulcrum Pin - Large Bush - screwed
Y729*	UHN400	1	Lubricator
Y13	2A4205	1	Sealing Ring - Fulcrum Pin - small
Y14	2A4206	1	Cork Ring - Fulcrum Pin - large
Y15	2A4028	1	Fulcrum Pin - Trunnion Link
Y16*	88G274	2	Bush - Upper Link
Y733	3H2192	2	Lubricator

QSK88ARH Suspension kit, RH wheel set

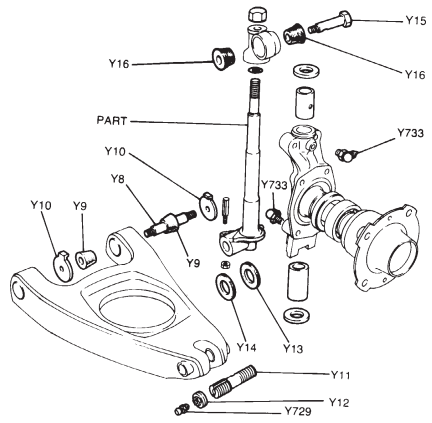
QSK88ALH Suspension kit, LH wheel set - comprising:-



Y410*	140919	1	Trunnion Assembly - right hand (QSK88ARH only)
Y411*	140920	1	Trunnion Assembly - left hand (QSK88ALH only)
Y422*	122496, 140892	2	Nylon Bearing - Trunnion Assembly
Y412	122126	1	Oil Seal - Trunnion to Vertical Link
Y413	122534	2	Dirt Seal - Lower Trunnion & Wishbone
Y756	140894	2	Water Shield, inner - Trunnion

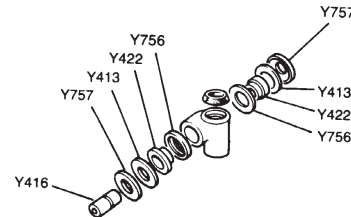
Y757	140895	2	Water Shield, outer - Trunnion
Y168	HB1020, 119142	1	Bolt - Trunnion to Wishbone
Y35	YN2910	1	Nut - Trunnion to Wishbone
Y418	WM0060	1	Washer - Trunnion to Wishbone
Y416	140893	1	Distance Tube
Y417	119450	1	Rubber Bush - Lower Front Damper
Y168	HB1020, 119142	1	Bolt - Front Damper Lower Att.
Y35	YN2910	1	Nut - Front Damper Lower Att.
Y418	WP0010	1	Washer - Front Damper Lower Att.
Y419	119451	4	Rubber Bush - Upper/Lower Wishbone
Y420	HB0918	2	Bolt - Top Wishbone Attachment
Y202	YN2909	2	Nut - Top Wishbone Attachment
Y423	HB0919	2	Bolt - Fulcrum Bracket to Lower Wishbone
Y202	YN2909	2	Nut - Fulcrum Bracket to Lower Wishbone

QSK136S Major repair kit, Wheel set - comprising:-



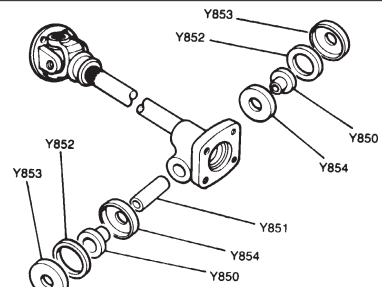
QP623/1	BTA605	1	Swivel Pin
Y2	2A176	1	Bush - Swivel Pin - top (A35, A40)
Y697	BTA382	1	Bush - Swivel Pin - top (Sprite, Midget)
Y475	ATC4246	1	Bush - Swivel Pin - bottom
Y4*	51K1769 + FNZ103	1	Cotter and Nut - Swivel Pin
Y5	2A4006	1	Thrust Washer
Y6	2A4008	1	Shim - adjustment .012"
Y698	BTA613	1	Sealing Ring - Rubber
Y699	BTA607	1	Sealing Ring - Dust Tube
Y8	2A4272	2	Fulcrum Pin - inner - Lower Link
Y17	FNZ307	1	Nut - Swivel Pin
Y9*	8G621	4	Bush - Lower Link
Y10	2A4024	2	Washer - Fulcrum Pin
Y11*	2A4020	1	Fulcrum Pin - outer
Y12	8G589	1	Plug - Fulcrum Pin - Large Bush - screwed
Y729*	UHN400	1	Lubricator
Y13	2A4205	1	Sealing Ring - Fulcrum Pin - small
Y14	2A4206	1	Cork Ring - Fulcrum Pin - large
Y15	2A4028	1	Fulcrum Pin - Trunnion Link
Y16*	88G274	2	Bush - Upper Link
Y733	3H2192	2	Lubricator - Swivel Axle Bushes

QSK140S Suspension trunnion seal kit, Wheel set



Y422*	140892	4	Bearing
Y416	140893	2	Distance Tube
Y413	122534	4	Seal
Y756	140894	4	Water Shield - inner
Y757	140895	4	Water Shield - outer

QSK151S Rear suspension bearing and seal kit, Wheel set - comprising:-



Y850	141218	2	Bearing - Rear Hub, inner
Y851	141221	1	Distance Piece
Y852	141185	2	Dirt Seal
Y853	141143	2	Shim - outer
Y854	141444	2	Shim - inner

This kit compares with Triumph Kit 514370

QSK153S Pivot shaft bush kit-rear suspension,Wheel set

Y860	AC9099	2	Pivot Shaft
Y50	FNZ508	4	Nut
Y861	LWZ208	4	Washer
Y49	2A7327	4	Sealing Ring - Rubber
Y48	2A7324	2	Thrust Washer - outer
Y862	ACA9032	2	Thrust Washer - inner
Y729*	UHN400	2	Grease Nipple
Y46	2A7325	2	Bush - outer
Y863	13H442	2	Needle Bearing
Y864	21A396	2	Lubricating Tubes

This kit compares with 2 Leyland Kits 8G7134

Note: On vehicles prior to 1963 2 additional bushes Y46 may be required in lieu of the Y863 needle bearings. These can be obtained separately from your normal supplier.

QSK155S Bush kit,Wheel set

Y94*	-	4	Bush - Control Arm - inner
Y859*	1421951	2	Bush - Anti-Roll Bar to Track Control Arm

Note: A one-piece Bush Y918 (1487654) is available as an alternative to two Y94 Bushes.

QSK156S Major repair kit,Wheel set - comprising:-

QP650/1	BTB411,BTB767	1	Swivel Pin
QP650/2	BTB768	1	Bush - Swivel Pin
Y876	BTB350	1	Grub Screw
Y733	UHN445	1	Lubricator - Swivel Pin
Y475	ATV4246	1	Bush - Swivel Pin - top
Y877	ATC4247,BTB766	1	Bush - Swivel Pin - bottom
Y880*	TRS1620	1	Ring - Rubber - Swivel Pin
Y879	21B252	1	Sealing Ring - Dust Excluder
Y63*	ATC4264	1	Thrust Washer
Y64*	ATC4262	4	Thrust Washer (1.47-1.60 mm)
Y900	ATC4261	4	Thrust Washer (1.32-1.44 mm)
Y901	ATC4263	4	Thrust Washer (1.62-1.75 mm)
Y59	ATC4265	1	Nut - Swivel Pin
Y729*	UHN400	2	Lubricator - Top and Bottom Bush
Y27*	1G4349	1	Pin - Fulcrum - Link to Shock Absorber Arm
Y9*	8G621	2	Bush - Fulcrum Pin
Y717	FNZ407	1	Nut - Fulcrum Pin
Y883	AAA1322	1	Tube - Distance - Link
Y884	AAA1390,BHH1773	2	Washer - Thrust - Link
Y885	AAA1323	2	Seal - Link
Y886	AAA1324	2	Support - Seal
Y887	AHH4001	1	Bolt - Wishbone to Link
Y888	FNZ308	1	Nut
Y861	LWZ208	1	Washer - Spring
Y889*	AHH7933	4	Bush - Wishbone Arm
Y890	AAA1330	2	Washer - Retaining - Bush
Y135	FNZ408	2	Nut

QSK163S Roller joint kit,front and rear suspension - comprising:-

Y891	ACA9573	1	Foot
Y892	ACA9559	1	Seat
Y893	ACA9570	1	Bush
Y894	ACA9569	1	Pad - Retaining
Y895	ACA9556	1	Retainer - Bush
Y896	CCN222	1	Circlip - internal
Y970	ACA9572	1	Seal
Y971	ACA9571	1	Washer - Retaining - Seal

QSK164S Pivot shaft kit-rear suspension,Wheel set - comprising:-

Y865	BTA316	1	Pivot Shaft
Y866	BTA317	1	Collar
Y50	FNZ508, FNZ108	2	Nut - Shaft
Y867	BTA318,BTA788	2	Shield
Y868	BTA331	2	Needle Bearing
Y459	LWZ308	2	Washer - Spring
Y897	BTA750	1	Seal - outer
Y898	BTA751	1	Seal - inner

This kit compares with Leyland kit 8G7135

QSK172S Radius arm and bearing kit,rear suspension Wheel set - Mini range 1963-,Innocenti Mini 1965- comprising:-

Y46	2A7325	1	Bush
Y863	13H442	1	Needle Bearing

QSK174S Upper ball pin kit,Wheel set - comprising:-

-	-	1	Ballpin retainer
-	-	1	Ballpin
-	-	1	Dust cover
-	-	1	Ball seat sintered
-	-	1	Spring
-	-	1	Locknut
-	-	2	Tab washer

This kit compares with 2 Leyland Kits BHM7009

QSK199S Front suspension upper kit,Wheel set - comprising:-

Y426	102228	4	Rubber Bush - Wishbone Arm
Y427	WM0069	2	Washer - over Outer Rubber Bush
Y428	LN2210	2	Nut - Wishbone Arm to Fulcrum Pin
Y429	PC0010	2	Cotter - Wishbone Arm to Fulcrum Pin

QSK200S Front suspension lower kit,Wheel set - comprising:-

Y835	142403	1	Lock Stop - Lower Trunion
Y836	HU0811	1	Screw - Lock Stop - Lower Trunion
Y837	WL0222	1	Washer - Lock Stop - Lower Trunion
Y839	139835	1	Bolt - Trunion and Wishbone Arm
Y840	139832	2	Distance Piece - Trunion to Wishbone Arm
Y841	139833	4	Nylon Bearing - Trunion to Wishbone Arm
Y842	142388	4	Washer - Trunion to Wishbone Arm
Y843	142387	4	Sealing Ring - Trunion to Wishbone Arm
Y844	139834	4	Water Shield - Trunion to Wishbone Arm
Y845	LN2212	1	Nut - Trunion to Wishbone Arm
Y433	PC0012	1	Cotter - Trunion to Wishbone Arm
Y846	141481	2	Bush - Lower Wishbone to Mtg. Bracket
Y847	HB1121	2	Bolt - Lower Wishbone to Mtg. Bracket
Y848	252164	2	Nut - Lower Wishbone to Mtg. Bracket

QSK202S Upper ball pin kit,Wheel set

-	-	2	Ballpin
-	-	2	Dust cover
-	-	2	Ballpin retainer
-	-	2	Tab washer
-	-	2	Lock nut
-	-	2	Ball seat
-	-	2	Spring
-	-	2	Clamping washer
-	-	2	Locking tab

This kit compares with 2 Leyland Kits BHM7167

QSK203RH Lower linkage kit,RH Wheel set
QSK203LH Lower linkage kit,LH Wheel set

Y967	No Leyland No.	1	Lower Link (including bushes) RH
Y968	No Leyland No.	1	Lower Link (including bushes) LH
Y982*	21G4002	2	Pivot Pin - outer
Y146	ACA5280	4	Thrust Washer
Y144	ACA5281	4	Ring - Sealing - Pivot
Y462	LWZ206	4	Washer - Pivot Pin
Y969	AJD8106	4	Nut - Pivot Pin
Y139	ACA4012	2	Seal - Swivel Pin - Lower Link
Y983	FNZ106	2	Nut for Outer Pivot Pin

This kit compares with one each Leyland Kits BHM7178 (RH),BHM7179 (LH)

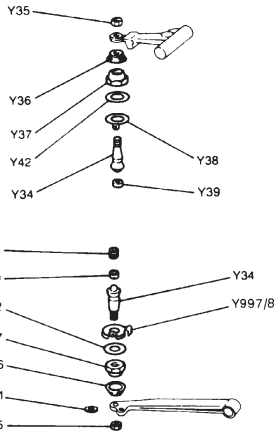
Note: QSK203RH contains Y967 not Y968 / QSK203LH contains Y968 not Y967

QSK208S Tie rod kit,Front suspension,Wheel set - comprising:-

Y999	FAM4614	2	Bushes
Y1000	31G5947	1	Cup Washer
Y1001	NY112041	1	Nyloc Nut
Y1002	21H5472	1	Clip

QSK153S - QSK208S

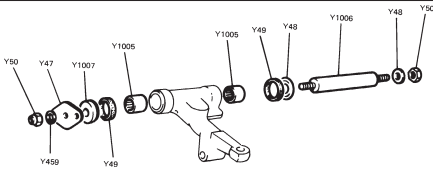
QSK209S Ball pin repair kit, Wheel set - comprising:-



Y34*	No Leyland Pt. No.	2	Ball Pin - top and bottom
Y35	FNZ507	2	Nut - Ball Pin
Y36*	BTA377	2	Dust Cover - Ball Pin
Y37	2A4237, 21A616	2	Retainer - Ball Pin
Y40*	21A370	1	Spring - Ball Seat
Y38	2A4238	1	Lockwasher - Ball Pin Retainer
Y997	FAM4342	1	Lockwasher RH
Y998	FAM4343	1	Lockwasher LH
Y42	2A4239	2	Shim .003"
Y43	2A4240	2	Shim .005"
Y44	2A4241	2	Shim .010"
Y39*	No Leyland Pt. No.	2	Ball Seating
Y981	LWZ307	2	Washer - Spring

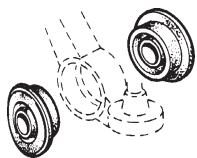
This kit compares with 1 Leyland kit GSJ166

QSK213S Upper arm pivot shaft kit, Wheel set - comprising:-



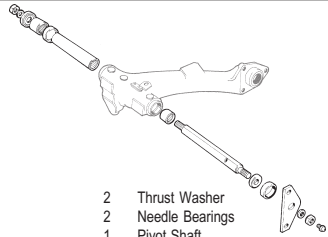
Y1006	2A4325	1	Shaft
Y48	2A7324	2	Thrust Washer
Y49	2A7327	2	Rubber Seal
Y50	FNZ508	2	Nut
Y1005	88G302	2	Bearing
Y1007	FAM7789	1	Thrust Washer
Y47	2A4327	1	Plate
Y459	LWZ308	1	Spring Washer

QSK214S Bush kit, Track control arm, Wheel set - comprising:-



-	6107025	2	Bush - outer
---	---------	---	--------------

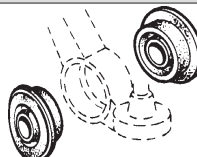
QSK215S Radius arm kit-Rear suspension - comprising:-



-	-	2	Thrust Washer
-	-	2	Needle Bearings
-	-	1	Pivot Shaft
-	-	2	Self Locking Nuts
-	-	2	Washers
-	-	2	Sealing Rings
Y729	UHN400	1	Grease Nipple
-	-	1	Outboard Mounting Bracket
-	-	1	Lubrication Tube

This kit compares with Rover kit BHM7232 and BHM7328

QSK220S Bush kit, Track control arm, Wheel set - comprising:-



-	6144628	2	Bush - outer
---	---------	---	--------------

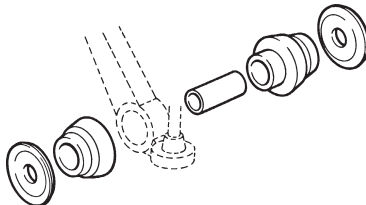
QSK228S Radius arm kit-Rear suspension - comprising:-



-	-	2	Thrust Washer
-	-	2	Needle Bearings
-	-	1	Pivot Shaft
-	-	2	Self Locking Nuts
-	-	2	Washers
-	-	2	Sealing Rings
Y729	UHN400	1	Grease Nipple

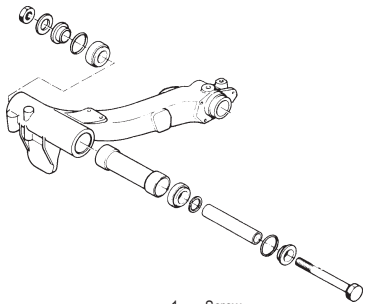
This kit compares with Rover kit BHM7271

QSK1000S Heavy duty track control arm bush kit - comprising:-



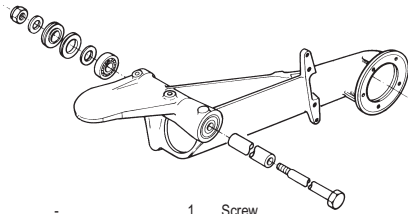
-	-	2	Nyloc Nuts
-	-	4	Washers
-	-	2	Male Bushes
-	-	2	Spacer Tubes
-	-	2	Female Bushes

QSK9000S Radius arm repair kit - comprising:-



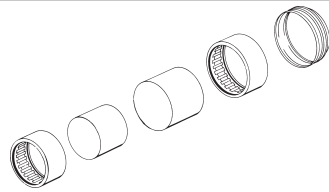
-	-	1	Screw
-	-	1	Tube
-	-	1	Washer
-	-	1	Nut
-	-	2	Thrust Washers
-	-	2	Seals
-	-	1	Dust Guard
-	-	2	Bearings

QSK9003S Radius arm repair kit - comprising:-
QSK9004S Suspension repair kit - comprising:-



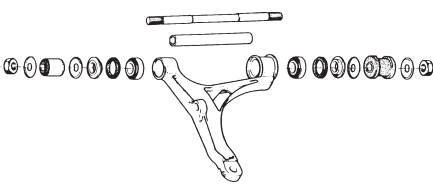
-	-	1	Screw
-	-	1	Tube
-	-	1	Washer
-	-	1	Nut
-	-	2	Thrust Washers
-	-	2	Seals
-	-	2	Bearings

QWB9005, QWB9006, QWB9007 - Suspension repair kit - comprising:-



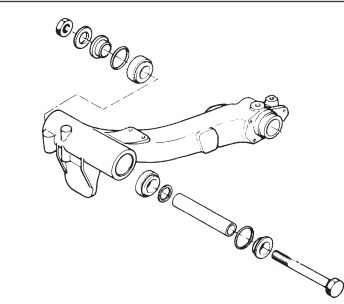
-	-	2	Needle Bearings
-	-	2	Inner Raceways
-	-	1	Seal

QSK9001S Front lower suspension arm, Inner bearing repair kit - comprising:-



-	-	2	Washers
-	-	1	Nut
-	-	4	Thrust Washers
-	-	2	Seals
-	-	2	Bearings

QSK9002S Radius arm repair kit - comprising:-



-	-	1	Screw
-	-	1	Tube
-	-	1	Washer
-	-	1	Nut
-	-	2	Thrust Washers
-	-	2	Seals
-	-	2	Bearings